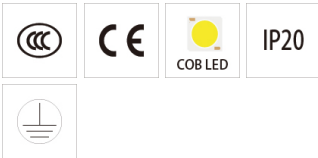
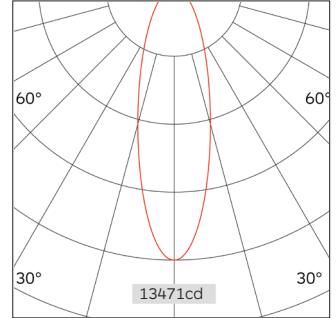
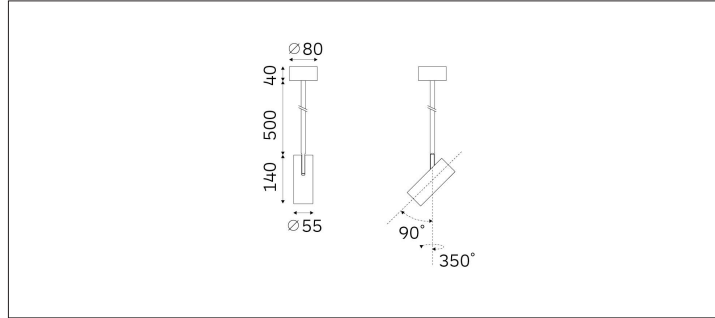


## AXORA | SPINE Series LED pendant light



Light Distribution	AX-PD-SP-25W-055
Colour Temperature	2700/3000/3500/4000K
Colour Rendition Index	CRI 90
Optics	LENS
Beam Angle	20D/31D/43D/52D
Installation method	Surface Mounted
Connected Load	24.3W
Luminous Flux Of The Luminaire	2615lm
Luminaire Efficacy	108m/W
Colour Deviation	SDCM <5
Light Source	LED
LED Type	COB
Dimming Method	Triac/1-10V/ Dali
Cover Material	Aluminum
Body Material	Aluminum
IP Rating	IP20
Housing Colour	Sandy White/ Sandy Black
Weight	0.6Kg
Technical Region	220-240V 50/60Hz

H(M)	E(lx)	D(M)
		20°
1.0	13471	0.36
2.0	3367	0.71
3.0	1496	1.07
4.0	481	1.43
5.0	538	1.79

Application areas: retail, museums, hospitality, residential, offices and lobbies.