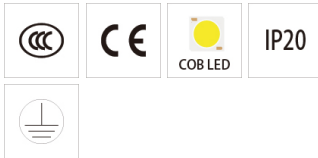
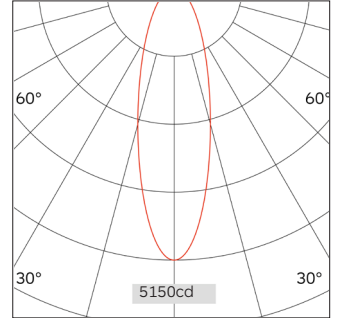
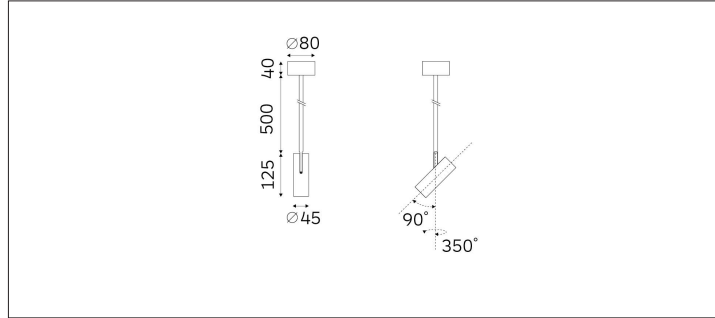


## AXORA | SPINE Series LED pendant light



Light Distribution	AX-PD-SP-15W-045
Colour Temperature	2700/3000/3500/4000K
Colour Rendition Index	CRI 90
Optics	LENS
Beam Angle	19D/24D/36D/43D
Installation method	Surface Mounted
Connected Load	14.3W
Luminous Flux Of The Luminaire	1083lm
Luminaire Efficacy	76m/W
Colour Deviation	SDCM<5
Light Source	LED
LED Type	COB
Dimming Method	Triac/1-10V/ Dali
Cover Material	Aluminum
Body Material	Aluminum
IP Rating	IP20
Housing Colour	Sandy White/ Sandy Black
Weight	0.45Kg
Technical Region	220-240V 50/60Hz

Light Beam Table

H(M)	E(lx)	D(M)
		19°
1.0	5150	0.36
2.0	1287	0.72
3.0	572	1.08
4.0	321	1.44
5.0	206	1.80

Application areas: retail, museums, hospitality, residential, offices and lobbies.